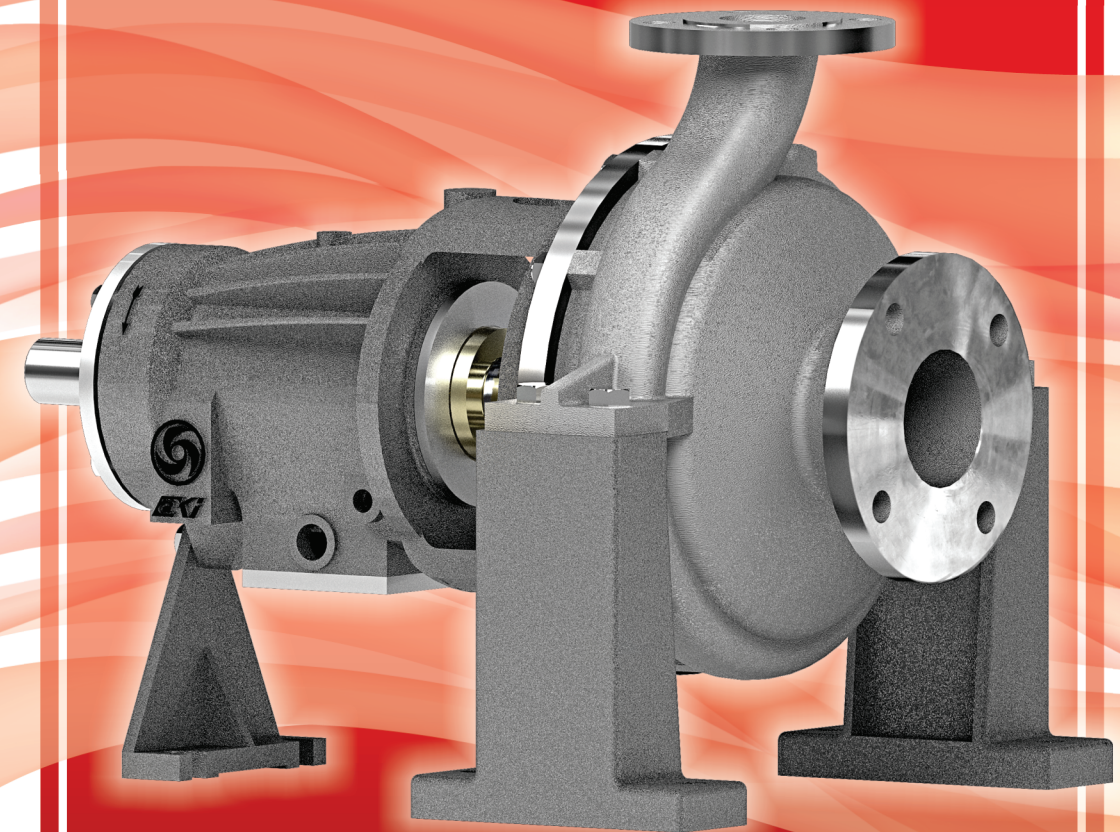


BTM is an associate company of Akay Industries Pvt Ltd

**chemflo**<sup>®</sup>



**chemflo**<sup>®</sup>



**BTM PROCESS CONTROLS PVT LTD.**

Address: Plot No 162/A&162/B Gamanagatti Industrial Estate  
Hubballi Karnataka 580024 | Tel: +91 (0) 836-2486001/02

Email: [business@btmprocesscontrols.com](mailto:business@btmprocesscontrols.com)

Web: [www.btmprocesscontrols.com](http://www.btmprocesscontrols.com)



**TYPE HTP  
HIGH TEMPERATURE PUMPS**

# HTP FEATURES

**14 RENEWABLE SHAFT SLEEVE**

Hook-type shaft sleeve is free to expand with temperature variation.

**18 DOUBLE ROW THRUST BEARING**

Keeps end play less than 0.025 mm for maximum seal life. Bearings sized for L10 rating life of minimum 2 years.

**1 HEAVY WALLED CASING**

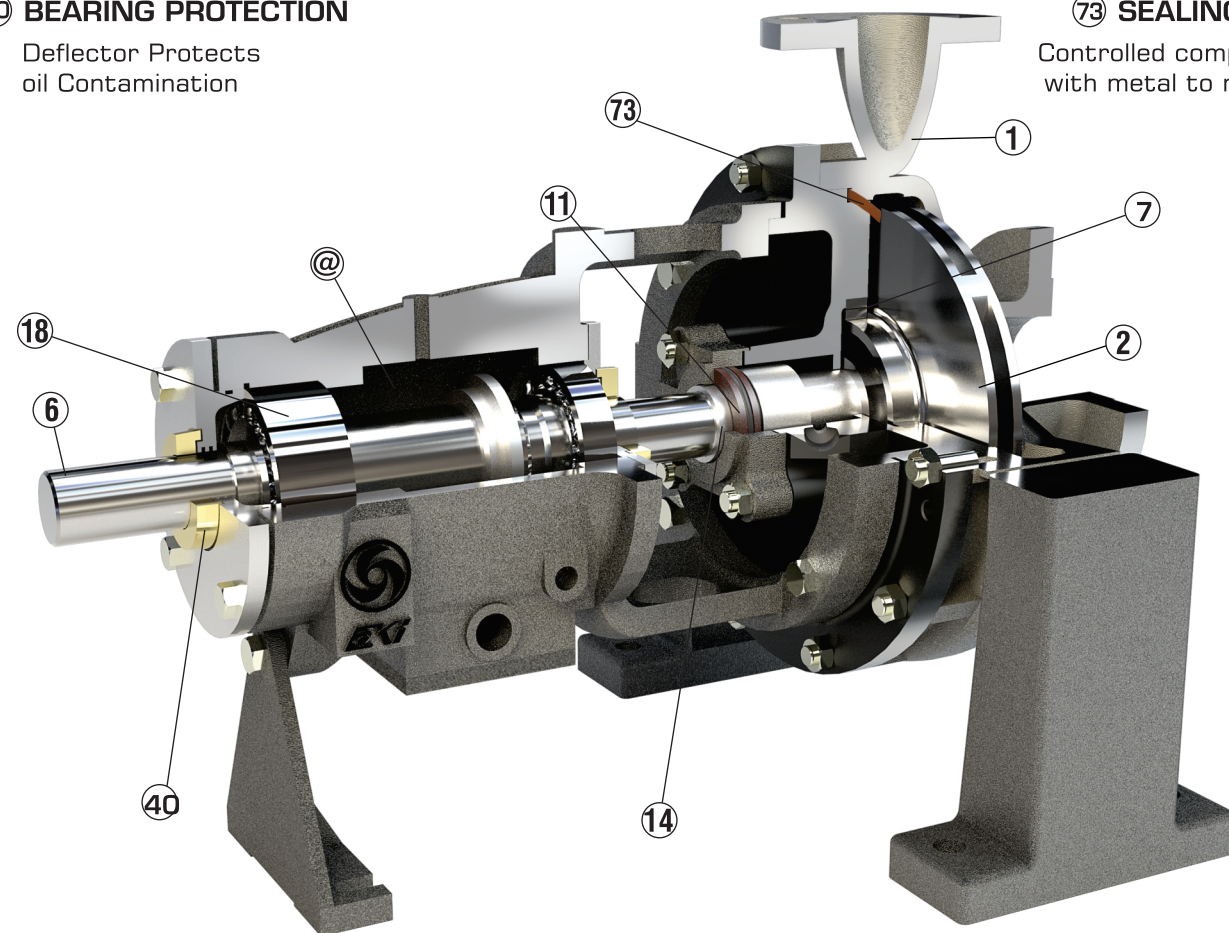
All pumps have wall thickness corresponds to 20 bar pressure Rating Resists high pipe forces and moments.

**40 BEARING PROTECTION**

Deflector Protects oil Contamination

**73 SEALING RELIABILITY**

Controlled compression gasket with metal to metal face joint.



**7 WEARING RING**

Axial balance-Front and Rear Wearing ring

**2 IMPELLER**

Designed for high efficiency and low NPSH

**@ LUBRICATION**

Oil Lubrication enhance bearing life

**6 HEAVY DUTY SHAFT**

Maximum shaft deflection less than 0.05 mm at face of the stuffing box. Ensures long seal and bearing life and low maintenance.

**11 MAXIMUM SEALING FLEXIBILITY**

Choice of packed box or Chemflo type cartridge mechanical seal.

# HTP

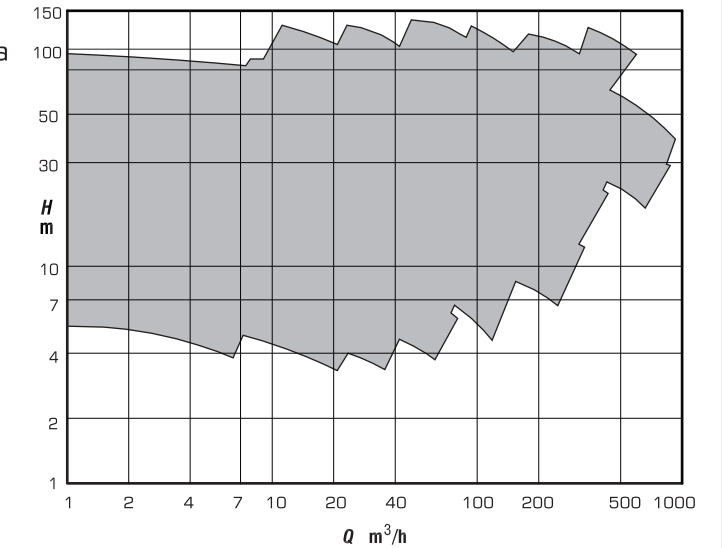
## RANGE

- Capacity to 950 m<sup>3</sup>/h
- Temperature to 400°C
- Head to 140 m
- Pressure to 2000 kPa

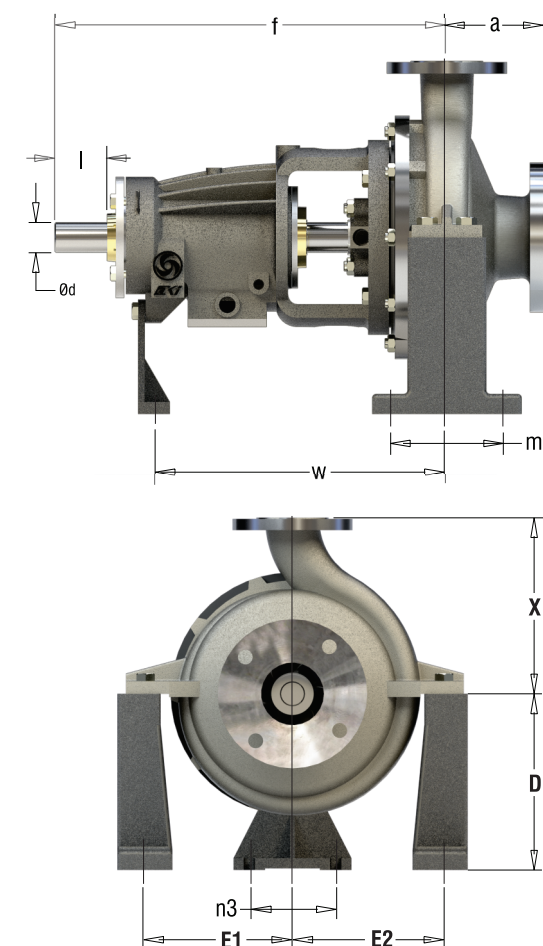
## FEATURES

- Center line support
- Heavy duty Shaft and Bearing
- Renewable Front and back wearing ring
- Pressure Joints with metal to metal face controlled compression gasket
- High efficiency and low NPSH
- Back-Pull-Out design permits quick inspection of repairs of rotating elements without disturbing electrical and piping connections
- Greater quality control and accuracy in production of every pump with the modern machining operations

HYDRAULIC COVERAGE



## HTP DIMENSIONS-



GROUP	MODELS	D	X	a	f	d	l	PUMP FEET				
								w	m2	n3	E1	E2
HTP - ST	1 ½ x 1 - 6	160	160	100	385	24	50	285	125	110	170	170
	3 x 1 ½ - 6	160	160	100	385	24	50	285	125	110	170	170
	3 x 2 - 6	160	180	125	385	24	50	285	125	110	170	175
	1 ½ x 1 - 8	160	180	100	385	24	50	285	125	110	177	177
	3 x 1 ½ - 8	160	190	100	385	24	50	285	125	110	177	177
HTP - MT	4 X 3 - 7	225	230	150	500	38	67	366	150	110	178	211
	2 X 1 - 9A	225	210	100	500	38	67	366	150	110	177	183
	2 x 1 - 9B	225	210	100	500	38	67	366	150	110	175	185
	3 x 1 ½ - 9	225	215	100	500	38	67	366	150	110	177	183
	3 x 2 - 9	225	225	125	500	38	67	366	150	110	177	183
	4 x 3 - 9	225	250	125	500	38	67	366	150	110	193	226
	6 x 4 - 9	250	280	150	500	38	67	366	150	110	204	247
	2 x 1 - 10 ½ A	225	210	100	500	38	67	366	150	110	192	197
	2 x 1 - 10 ½ B	225	210	100	500	38	67	366	150	110	192	197
	3 x 1 ½ - 10 ½	225	230	100	500	38	67	366	150	110	192	197
	3 x 2 - 10 ½	225	240	125	500	38	67	366	150	110	192	197
	4 x 3 - 10 ½	250	265	150	500	38	67	366	150	110	197	233
	6 x 4 - 10 ½	250	300	175	500	38	67	366	150	110	210	253
	3 x 1 ½ - 12A	250	250	130	500	38	67	366	150	110	217	217
	3 x 1 ½ - 12B	250	250	130	500	38	67	366	150	110	217	217
3 x 2 - 12	250	260	130	500	38	67	366	150	110	217	238	
4 x 3 - 12	250	285	135	500	38	67	366	150	110	217	238	
6 x 4 - 12H	250	325	145	500	38	67	366	150	110	228	272	
HTP - LT	8 x 6 - 10 ½	250	355	175	700	60	110	520	230	140	225	290
	6 x 4 - 12	250	315	175	700	60	110	520	230	140	232	277
	8 x 4 - 12	250	340	200	700	60	110	520	230	140	232	277
	8 x 6 - 12H	280	380	200	700	60	110	520	230	140	250	315
	4 x 3 - 14	250	315	175	700	60	110	520	230	140	233	261
	6 x 4 - 14	250	340	200	700	60	110	520	230	140	241	271
	6 x 4 - 14H	280	360	200	700	60	110	520	230	140	256	299
	8 x 6 - 14H	315	400	225	700	60	110	520	230	140	275	338
	10 x 8 - 14	355	460	225	700	60	110	520	230	140	287	370
	6 x 4 - 16	280	370	200	700	60	110	520	230	140	264	303
6 x 4 - 16H	315	390	200	700	60	110	520	230	140	279	326	
8 x 6 - 16H	355	430	225	700	60	110	520	230	140	295	358	
10 x 8 - 16	355	475	225	700	60	110	520	230	140	317	405	